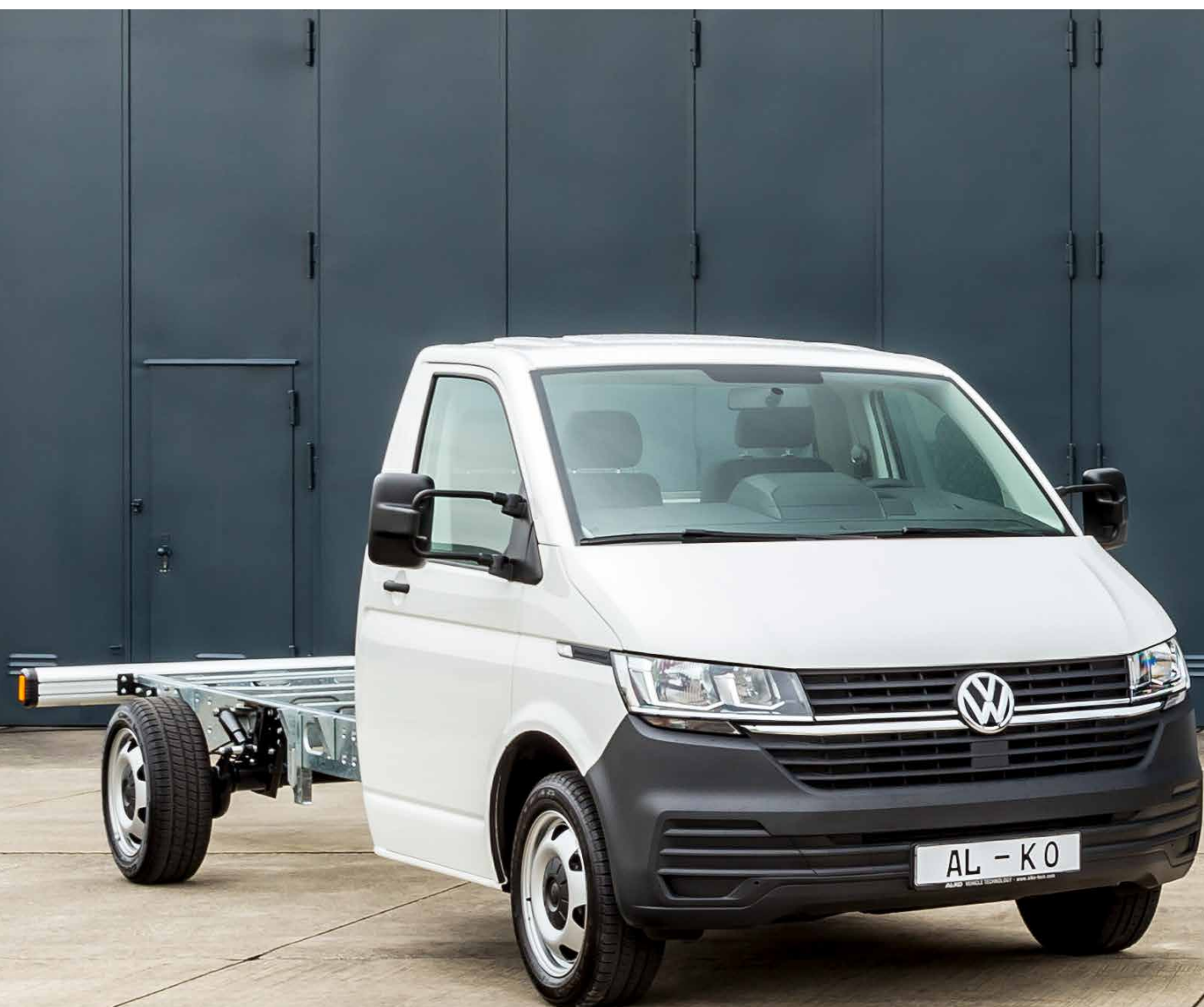


PremiumPartner
von Volkswagen Nutzfahrzeuge

AL-KO
QUALITY FOR LIFE

VOLKSWAGEN TRANSPORTER AL-KO COMMERCIAL VEHICLE CHASSIS



AL-KO VEHICLE TECHNOLOGY

BETTER TOGETHER – PART OF DEXKO



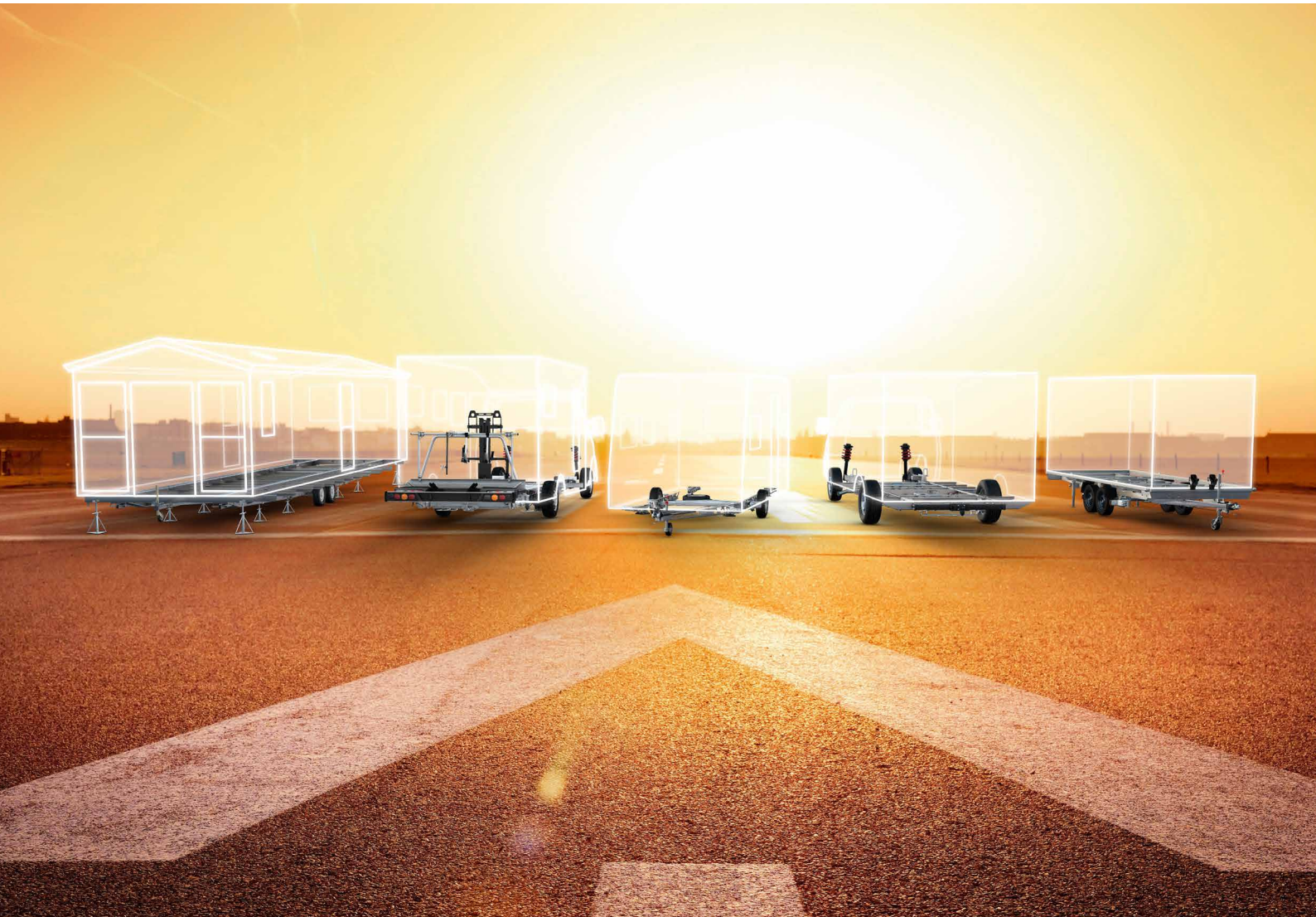
DEXKO[®]
G L O B A L

LEADING QUALITY ACROSS THE GLOBE TOGETHER

DexKo Global has customers on all six continents, is considered a quality leader in all its supplied markets, and stands for continuous improvement and innovation through intensive research and development work.

With the two subsidiaries Dexter Axle and AL-KO Vehicle Technology boasting decades of experience, the company is on course for an annual turnover of 2 billion US dollars.

QUALITY FOR LIFE



OUR DRIVE: HOW WE THINK ABOUT QUALITY

Our drive is to improve people's lives through quality. From our roots in a small village forge to a global corporation, our DNA has always remained the same: Quality for life.

The highest degree of product quality results from the pursuit for consistent optimisation, well-founded knowledge and the assurance of reliability. Innovations are created through proven development and our testing expertise. Continual change drives our solutions. Our readiness and competence for change enables us to have solutions for any challenges. In our development centres, we produce market-ready innovations and further developments, thanks to proven development and testing expertise.

FOR WHEN THE BEST IS EXPECTED

We set new standards in the van class with the AL-KO CHASSIS and are specialists in innovative and intelligent fleet optimisation solutions.

Our variable lightweight chassis with wide-track chassis and independent wheel suspension form the foundation for this. This is the basis for more load capacity, greater load volumes, better ergonomics – and much higher cost effectiveness.



RESEARCH AND DEVELOPMENT

At AL-KO, research and development are firmly involved in the product creation process from the initial idea right through to production. The result: innovative solutions that satisfy the most demanding requirements. In close coordination and collaboration with the state-of-the-art testing department, our engineers at the new technology centre push individual components, assemblies and even finished products to the limit every day.

We are proud of our customised, state-of-the-art testing facilities that enable the most stringent endurance and wear tests under real operating conditions. In our market environment, they offer unique opportunities for the testing of individual components and entire vehicles. Only what is assessed as flawless receives our "Quality for Life" seal of approval at the end of the process!



AL-KO COMMERCIAL VEHICLE CHASSIS UP TO 3.5 t GVW

WITH CLEARANCE CERTIFICATE FROM VW COMMERCIAL VEHICLES

MORE LOAD VOLUME

Variable wheelbases, in conjunction with the overhang variants on offer, enable a tailor-made solution for almost all transport problems with optimum load distribution and the best possible driving stability. In addition, the wider rear gauge offers you more flexibility and approx. 100 mm more loading space width.

WIDE TRACK CHASSIS

The maintenance-free rear axle with a wide axle gauge optimises the driving response and provides the best possible driving safety and outstanding driving comfort.

ESP/ESC

For AL-KO CHASSIS based on the Volkswagen Transporter, ESP / ESC (Electronic Stability Program / Electronic Stability Control) is available as standard (with Premium Partner clearance certificate from Volkswagen Commercial Vehicles).

ESP/ESC
as standard!



EASY LOADING AND UNLOADING

For easy and comfortable vehicle loading and unloading, the attachment of a tail lift is possible in conjunction with a support frame.

PremiumPartner
von Volkswagen Nutzfahrzeuge



MORE PAY LOAD

Thanks to smart technology.

LONG SERVICE LIFE

Hot-dip galvanised connection flanges and Chassis components ensure maximum, reliable corrosion protection.



EASY TO SERVICE

Bolted frame parts are easy to service, ensuring shorter periods of downtime for repairs.

TRAILING ARM AXLE WITH TORSION BAR SUSPENSION

The independent wheel suspension in conjunction with specially customised spring rods and high-performance shock absorbers offers car-like suspension comfort and optimal safety.

BASE VEHICLE

Transporter 6.1 dropside van with long wheelbase and single cab

Category 6 side indicators

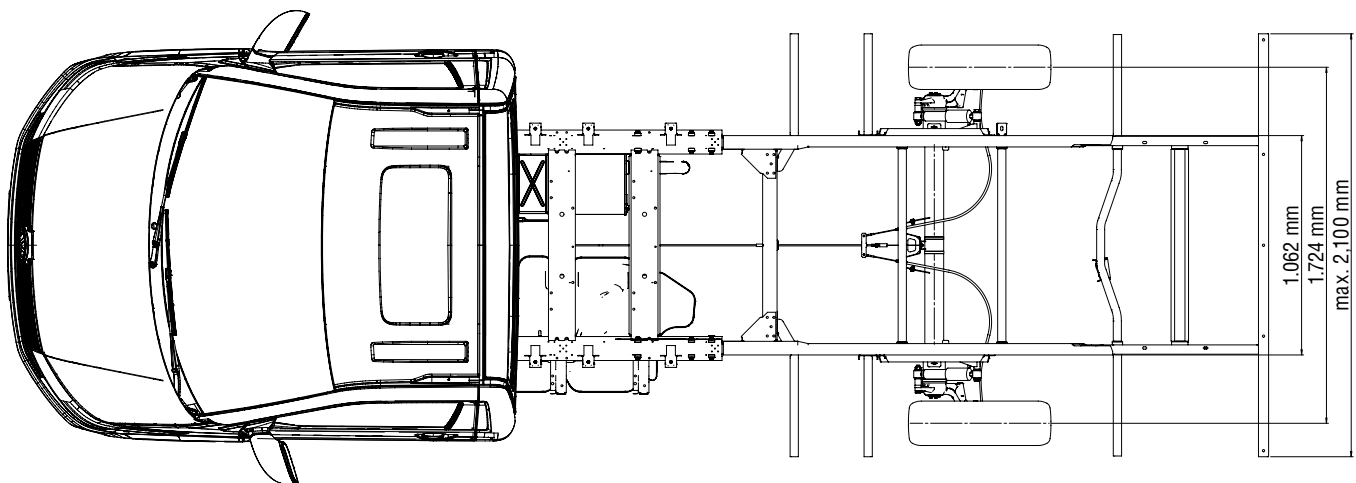
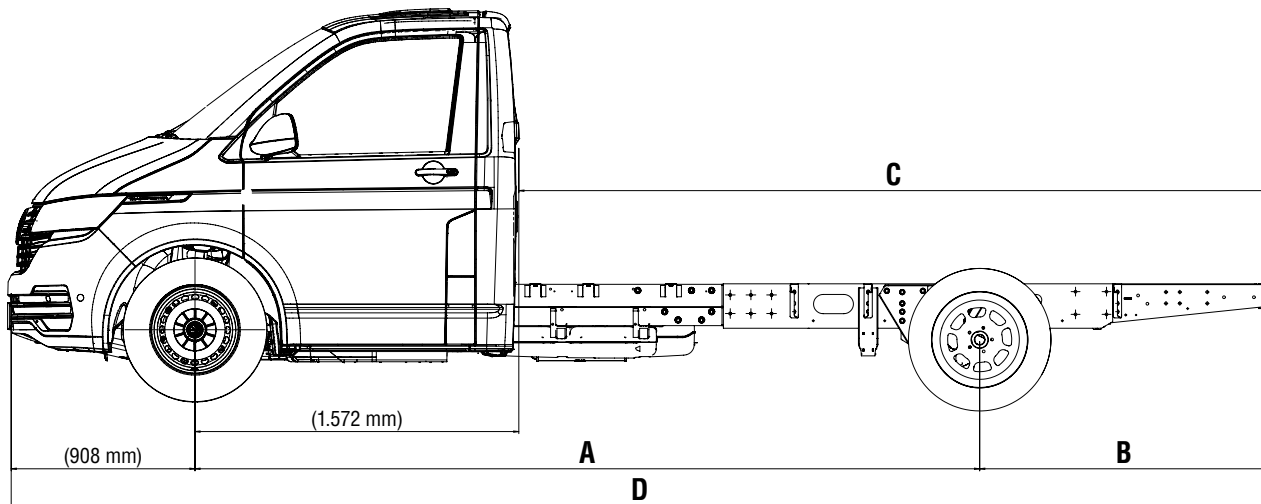
For vehicles with a total length of more than 6 m, a category 6 side indicator is required by law.

The necessary order requirements must be observed.
You can obtain these here:

<https://www.alko-tech.com/en/commercial-vehicle-contact-form>



TECHNICAL DATA



STANDARD DIMENSIONS¹⁾

1) Other dimensions possible upon request and after technical coordination.

	Size S	Size M	Size L	Size XL	Size XXL
AL-KO item no.	1724471	1724472	1724473	1724474	1724475
A Wheelbase	3,600 mm	3,800 mm	4,100 mm	4,400 mm	4,600 mm
B Chassis overhang	1,002 mm	1,402 mm	1,702 mm	1,802 mm	2,150 mm
C Frame length	3,030 mm	3,630 mm	4,230 mm	4,630 mm	5,178 mm
D Total vehicle length	5,510 mm	6,110 mm	6,710 mm	7,110 mm	7,658 mm

FRAME HEIGHT IN REAR AXLE RANGE

(approx. values)

Tyre size	Empty frame height AL-KO delivery condition	Loaded frame height max. permitted rear axle load
215/60 R17 C	approx. 670 mm	approx. 590 mm

Technical data such as weights, axle loads and dimensions subject to change.

TYPE OVERVIEW, PERMITTED WEIGHTS, AXLE AND TOWABLE LOADS

Commercial name	Vehicle class	Engine version	Permitted gross weight [kg]	Permitted front axle load kg	Permitted rear axle load kg	Permitted trailing load ⁽²⁾ kg	Permitted gross train-weight ⁽³⁾ kg	Rear axle break	Brake system
MC35T6	M1 ¹⁾ /N1	2.0 TDI (110 kW)	3,500	1,710	1,900	2,000	5,200 (MT) 5,300 (AT)	Disc	ESP/ESC ⁴⁾

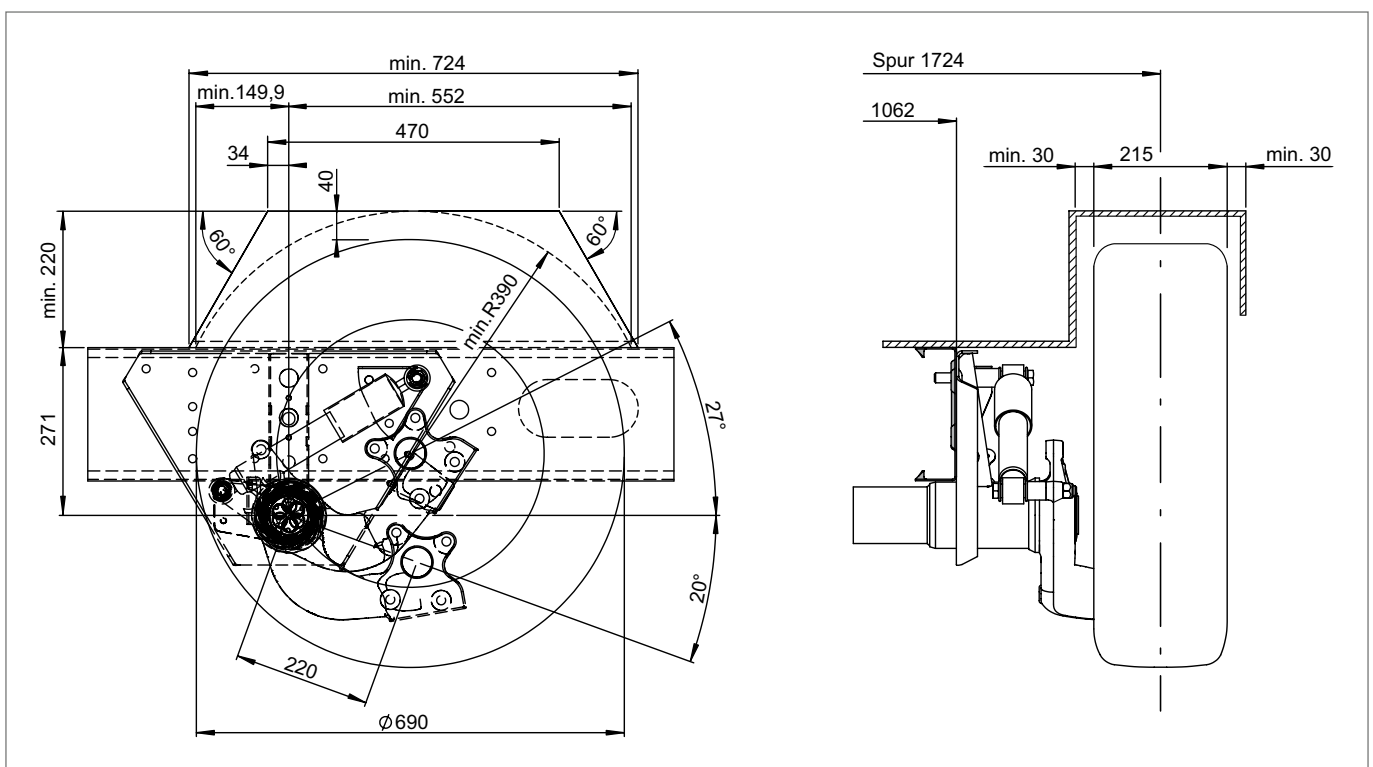
¹⁾ M1 with special purpose vehicles

²⁾ Comply with permitted gross train weight!

³⁾ MT = Manual transmission/
AT = 7G-DSG Automatic transmission

⁴⁾ To activate the ESP/ESC system, the height of the centre of gravity of the complete and fully loaded vehicle must be specified. If this centre-of-gravity height is transmitted to AL-KO when the vehicle is ordered, AL-KO will activate the appropriate ESP/ESC system. If the customer does not provide AL-KO with a binding centre-of-gravity height, AL-KO will activate the ESP/ESC system ex works for the centre of gravity height of 850 to 950 mm. If the completed and fully loaded vehicle has a different centre-of-gravity height, the customer must have the appropriate ESP/ESC system activated by a VW service partner.

WHEEL ARCH DIMENSIONS



AL-KO CHASSIS

ACCESSORIES / SPECIAL EQUIPMENT

SPARE WHEEL / SPARE WHEEL CARRIER



- | Spare wheel secured in the rear of the chassis
- | Easy retrofitting to most AL-KO CHASSIS with straight rear structure
- | Low mounting effort – Easy to operate with standard on-board tool kit

MECHANICAL CLICKFIX STEADY LEG



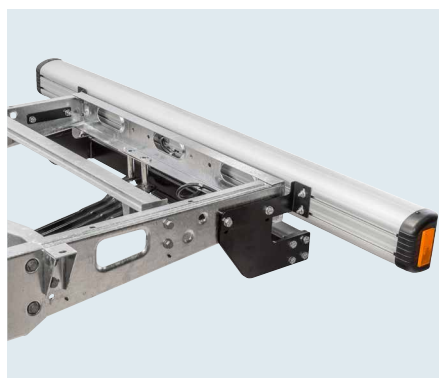
- | Robust construction for firm, secure positioning
- | Quick and easy operation:
Just half a turn with the crank is enough to move the steady leg to the vertical support position.
- | Dynamic load capacity 500 kg, static 1,000 kg

TOWING HITCHES



- | Precisely correlated to the AL-KO CHASSIS
- | With the highest level of safety
- | Low mounting effort
- | High-quality surface protection

LIGHT BRACKET



- | Available in two widths:
1,880 mm und 2,022 mm

USAGE EXAMPLES



Box truck



Box truck



Horse transporter



Dropside



Refrigerated vehicles

Member of 

ALOIS KOBER GMBH

Ichenhauser Straße 14
89359 Kötz
Germany
Phone: +49 8221 97-0
info@alko-tech.com
www.alko-tech.com

AL-KO Technology Austria GmbH

Talstraße 150
6284 Ramsau im Zillertal
Austria
Phone: +43 5282 3360 700
vertrieb.at@alko-tech.com
www.alko-tech.com

AL-KO KOBER AB

Box 9088 J A Gahms Gata 6
400 92 Göteborg
Sweden
Phone: +46 31 57 82 80
question.se@alko-tech.com
www.alko-tech.com